

# Brush Door Repair Kit

Models: T1/B, E5, Speed Scrub (15 in), Speed Ex

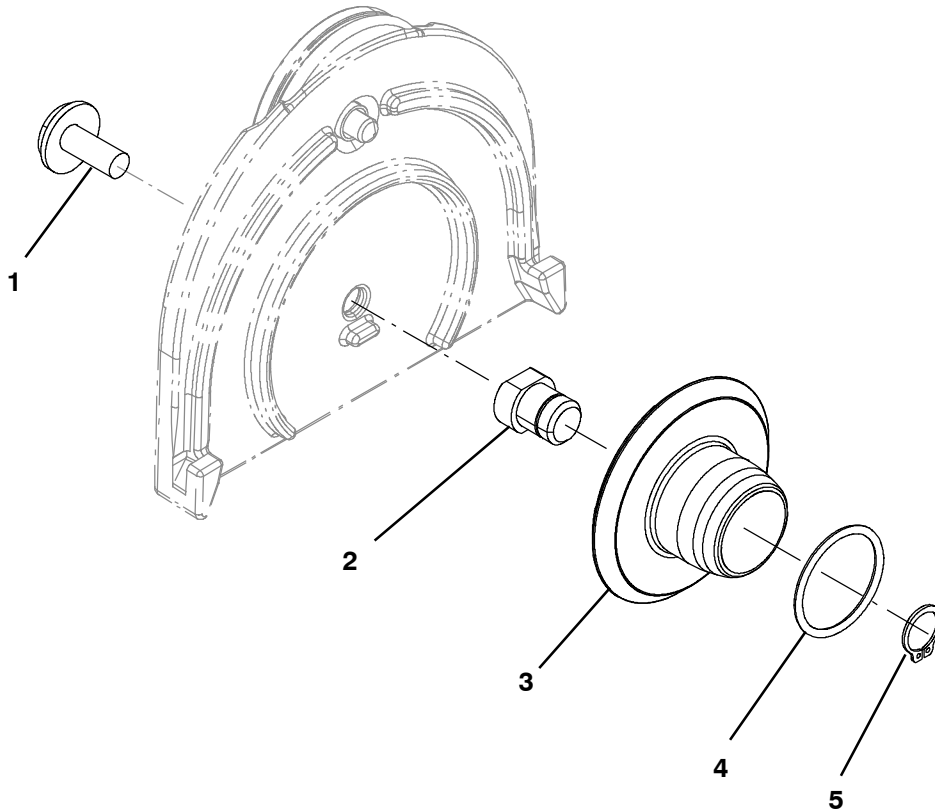


## ASSEMBLY INSTRUCTIONS:

**Installation Time:** .5 Hours

**Tools Required:** Ring Retainer Pliers w/ .047 tips and  
Philips Screwdriver

**FOR SAFETY:** Before installing kit, turn off machine  
and unplug power cord.



## BRUSH DOOR REPAIR KIT PARTS LIST

Ref.	Part No.	Description	Qty.
1	1019349	Screw, Trs, M6 X 1.00 X 16, Ss, Sems	1
2	1030682	Shaft, Idler Plug	1
3	1030680	Hub, Idler, Brush	1
4	1042312	Seal, Org, .070 X .875 Id, 02	1
5	01543	Ring, Retaining, Ext, 0.39d, Basic	1